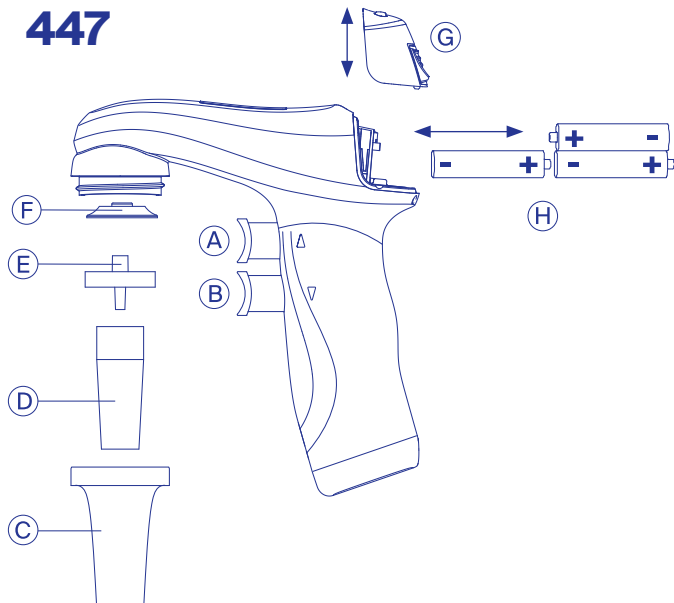


# Quick Guide



## Profiller® electro 447



- A** Aspirate trigger **B** Dispense trigger **C** Nose cone
- D** Silicone pipette holder **E** Filter **F** Connector gasket
- G** Cover **H** 3x NiMH batteries

Related items	Packaging	Cat. No.
Charger <i>X= E-Europe / G-UK / U-USA or JP / A-Aus or NZ</i>	1 / pk	900.947X
Spare PTFE filter 0.45 µm	5 / pk	322.447
Spare PTFE filter 0.20 µm	5 / pk	322.407
Spare silicone pipette holder	1 / pk	1.447.01
Spare nose cone	1 / pk	1.447.02
Spare connector gasket	1 / pk	1.447.03
Spare NiMH batteries	3 / pk	900.917



### Package contents

Profiller® electro, charger, four adaptors, bench stand and wall bracket, 0.45 µm and 0.20 µm filters, QC certificate, Quick Guide.

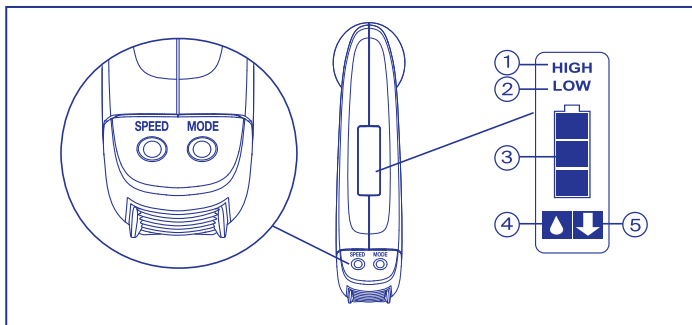
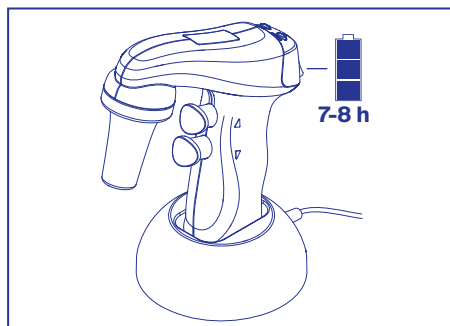
### ⚠ Safety precautions

- Read carefully and observe manufacturer's instructions and guidelines.
- Refer to and follow regulations about handling of potentially hazardous reagents.
- Wear protective clothing including goggles and gloves.
- Do not allow liquid to enter the instrument.
- Do not put aside Profiller™ electro 447 if there is liquid in the pipette.
- Should the instrument fail to work to specification, stop pipetting and refer to operating instructions online.
- Before cleaning, disconnect power from the charger.
- Do not clean the charger.
- All repairs must be carried out by an authorized dealer.
- Only use original accessories and spare parts.

### Step-by-step instructions

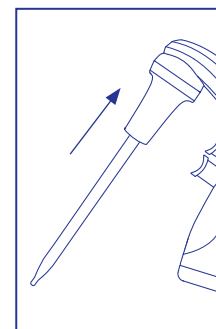
#### Preparing for work

Make sure batteries are fully charged before first use. Use charging stand with respective plug.



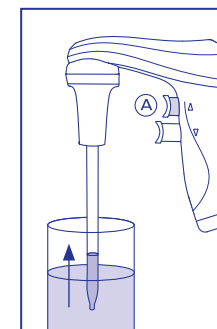
#### Selecting speed and mode

Press SPEED button to choose between HIGH (1) and LOW (2) dispensing speed. Press MODE button to dispense liquid using gravity (4) or with set speed (5). Battery status is also visible on screen (3).



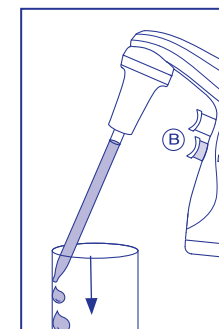
#### Pipette mounting

Insert glass or plastic serological pipette carefully into nose cone.



#### Aspirating

Aspirate liquid by pressing the trigger (A). Hold instrument pointing pipette down.



#### Dispensing

Press trigger (B) to dispense liquid. Hold pipette against recipient's wall.

### Most common troubleshooting

Observation	Possible cause	Solution
<b>Aspiration too slow</b>	Filter (E) blocked, dirty or damaged	Replace PTFE filter (0.45 µm or 0.2 µm)
	Batteries low	Recharge batteries
	Silicone pipette holder (D) or connector gasket inside the cone are damaged	Replace damaged parts
<b>Pipette drips or falls off</b>	Pipette not properly positioned in silicone pipette holder (D)	Verify pipette mounting
	Pipette holder (D) or pipette damaged	Replace damaged parts

### Scan to access operating instructions



EN / DE / FR